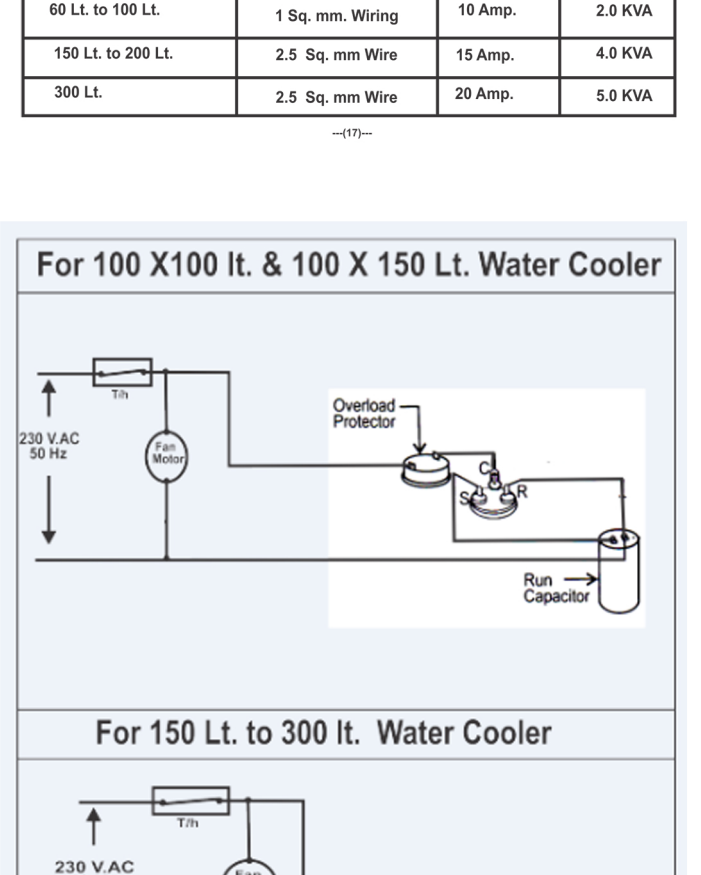
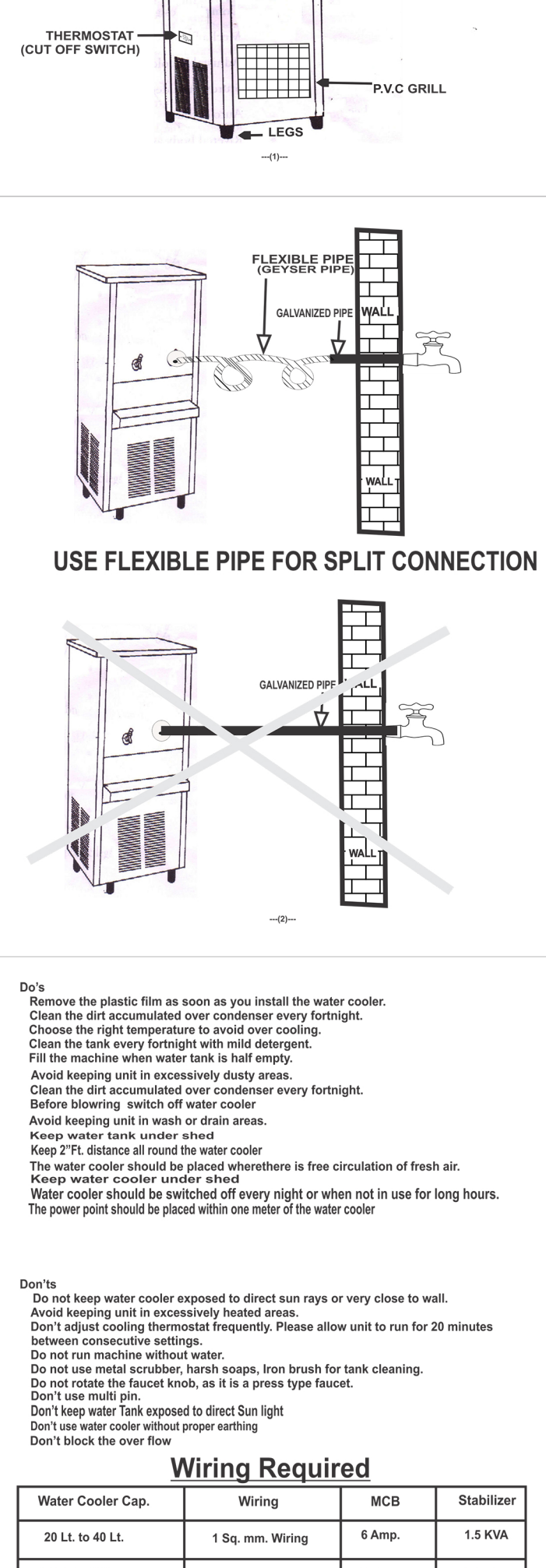


No.	SYMPTOMS	POSSIBLE CAUSE	SUGGESTED REMEDY
2	Compressor does not run and produces no sound at all	Supply switch off Fuse blown Defective wiring	Switch on or if the switch is defective, replace the fuse wire Rectify the defect
2	Compressor tries to start with a humming sound and shuts down or Compressor runs for a short time and shuts down	Low voltage Capacitor / relay defective	If the supply voltage is usually less than 200V, install a voltage booster. Call service personnel
3	Unit blows fuse on starting	Compressor defective Faulty wiring within the unit	Call service personnel Call service personnel
4	Water at outlet warm	Thermostat set too "warm" Water consumption too high Refrigeration system not in order	Lower the setting by turning the knob in counterclockwise direction Compare the consumption with the capacity of the Water Cooler and if high, reduce it Call service personnel
5	Condenser fan motor noisy	Fan blade touching the condenser fins.	Call service personnel
6	Condenser fan motor not working	Fan motor connections open Capacitor defective	Call service personnel Call service personnel
7	No water flow through Water Cooler	No water supply Water filter element clogged Defective faucet Float valve stuck in closed position (In case of storage type) Defective foot-pedal assembly (In case of instantaneous type)	Ensure water supply Replace / clean filter element Call service personnel Call service personnel Call service personnel
	Water leaking through faucet	Defective faucet	Call service personnel

WATER COOLER INSTALLATION GUIDE

WATER COOLER OVERVIEW



Do's
 Remove the dirt film as soon as you install the water cooler.
 Clean the dirt accumulated over condenser every fortnight.
 Choose the right temperature to avoid over cooling.
 Clean the tank every fortnight with mild detergent.
 Fill the machine when water tank is half empty.
 Avoid keeping unit in excessively dusty areas.
 Clean the dirt accumulated over condenser every fortnight.
 Before blowing switch off water cooler
 Avoid keeping unit in wash or drain areas.
 Keep water tank under shed
 Keep 2' Ft distance all round the water cooler
 The water cooler should be placed wherever there is free circulation of fresh air.
 Keep water cooler under shed
 Water cooler should be switched off every night or when not in use for long hours.
 The power point should be placed within one meter of the water cooler

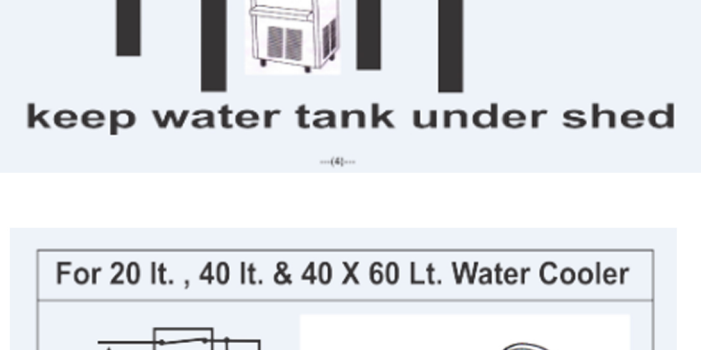
Don'ts
 Don't keep water cooler exposed to direct sun rays or very close to wall.
 Avoid keeping unit in excessively heated areas.
 Don't adjust cooling thermostat frequently. Please allow unit to run for 20 minutes between consecutive settings.
 Do not run machine without water.
 Do not use metal scrubber, harsh soaps, Iron brush for tank cleaning.
 Do not rotate the faucet knob, as it is a press type faucet.
 Don't use multi pin.
 Don't keep water Tank exposed to direct Sun light
 Don't use water cooler without proper earthing
 Don't block the over flow

Wiring Required

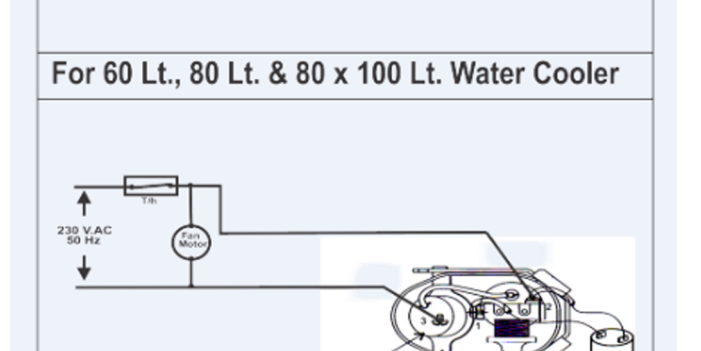
Water Cooler Cap.	Wiring	MCB	Stabilizer
20 Lt. to 40 Lt.	1 Sq. mm. Wiring	6 Amp.	1.5 KVA
60 Lt. to 100 Lt.	1 Sq. mm. Wiring	10 Amp.	2.0 KVA
150 Lt. to 200 Lt.	2.5 Sq. mm Wire	15 Amp.	4.0 KVA
300 Lt.	2.5 Sq. mm Wire	20 Amp.	5.0 KVA

--(17)--

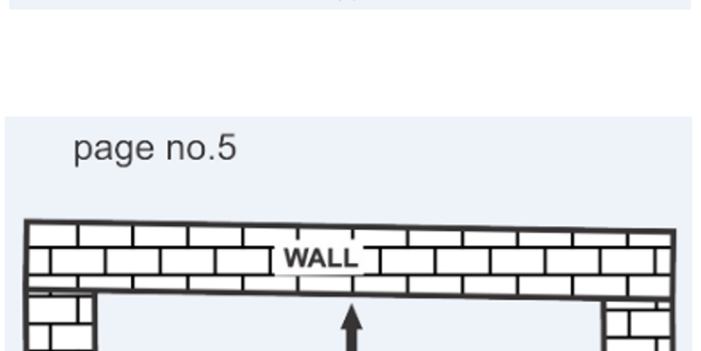
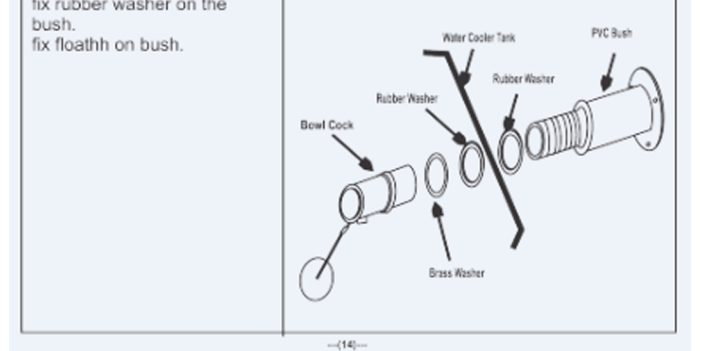
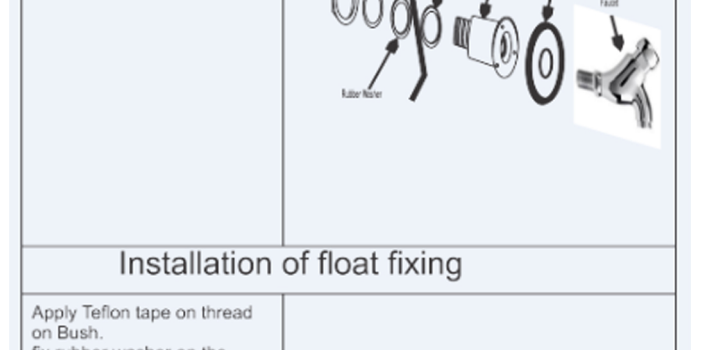
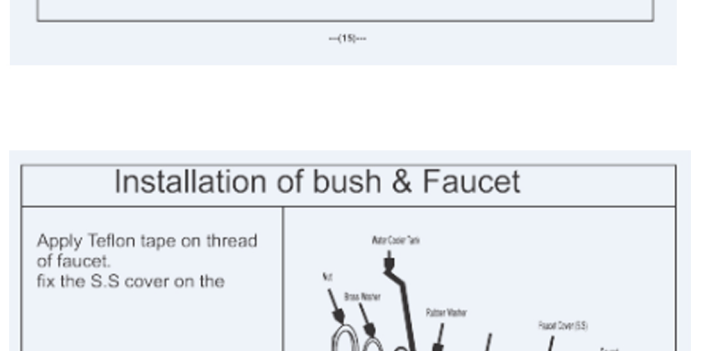
For 100 X100 Lt. & 100 X 150 Lt. Water Cooler



For 150 Lt. to 300 Lt. Water Cooler

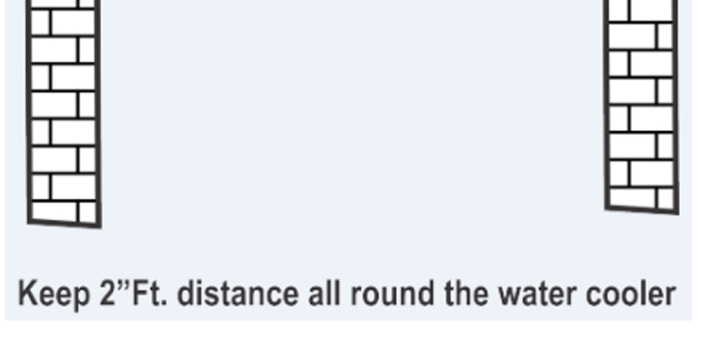


--(18)--



--(14)--

For 20 Lt. , 40 Lt. & 40 X 60 Lt. Water Cooler

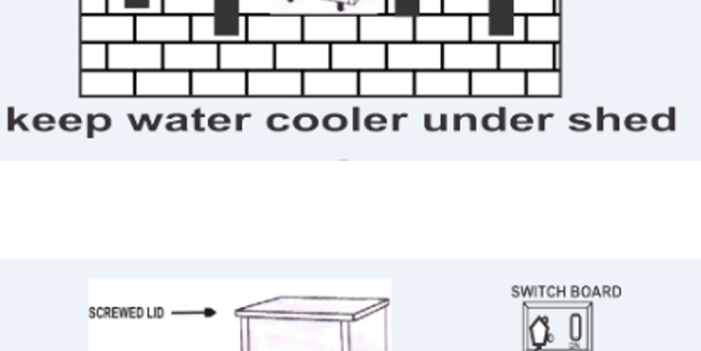


For 60 Lt., 80 Lt. & 80 x 100 Lt. Water Cooler

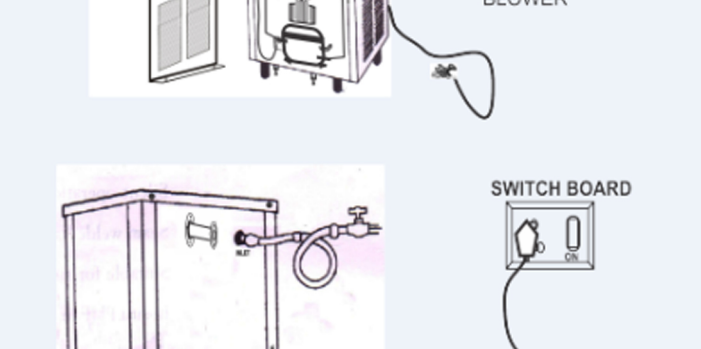


--(15)--

Installation of bush & Faucet

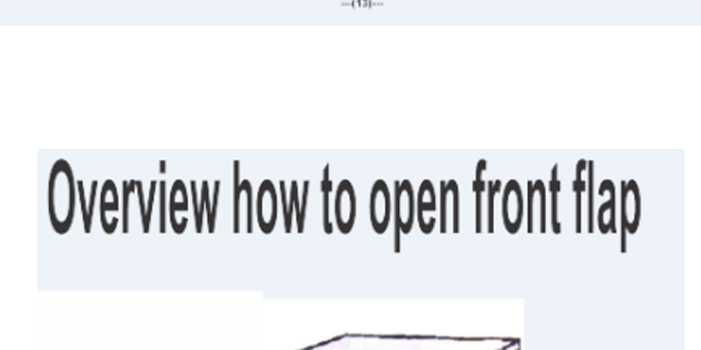


Installation of float fixing



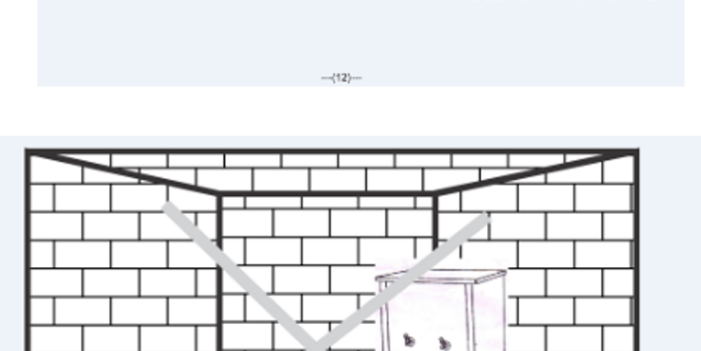
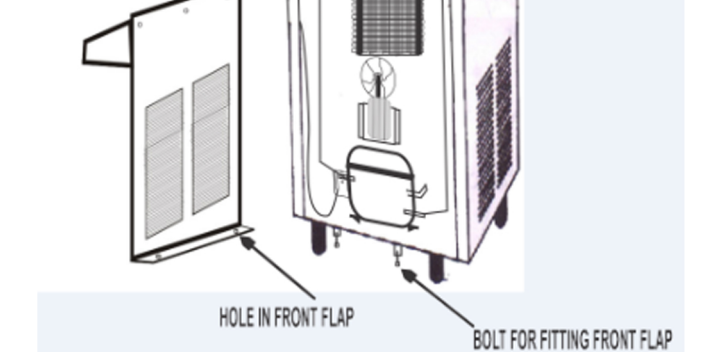
--(16)--

page no.5

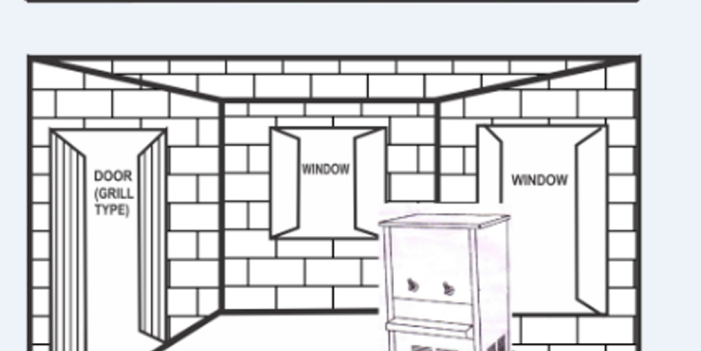


Keep 2' Ft. distance all round the water cooler

page no. 6



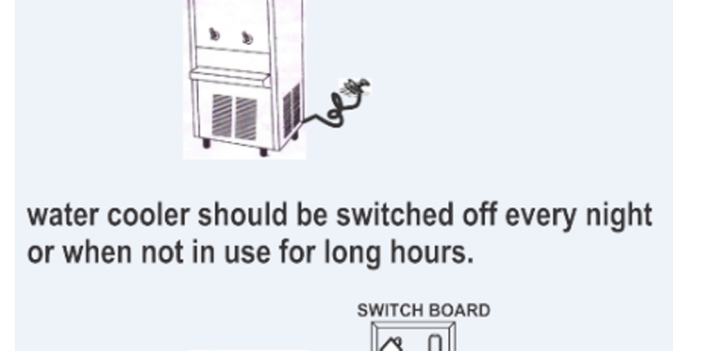
--(14)--



Clean the dirt accumulated over condenser every fortnight. Before blowing switch off water cooler

--(13)--

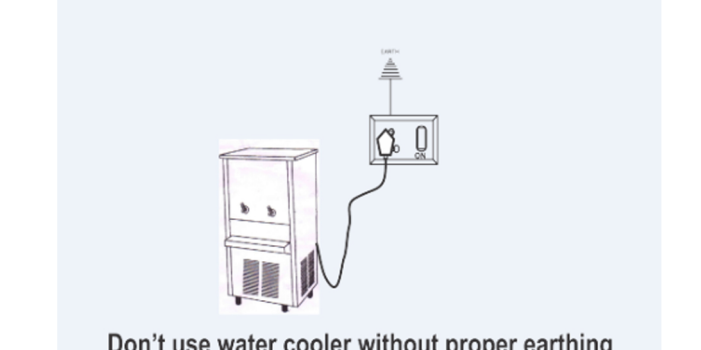
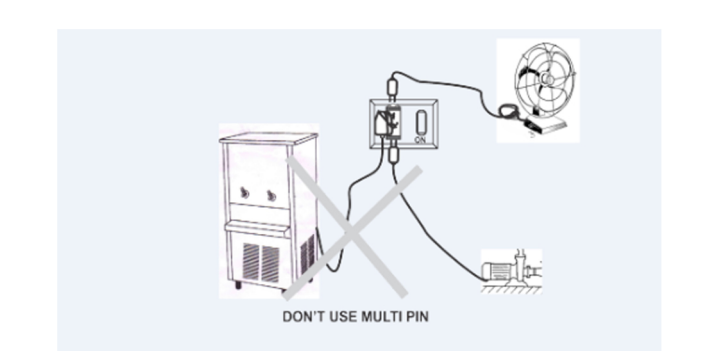
Overview how to open front flap



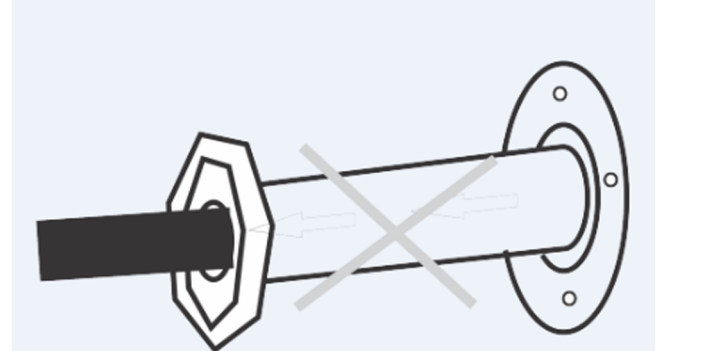
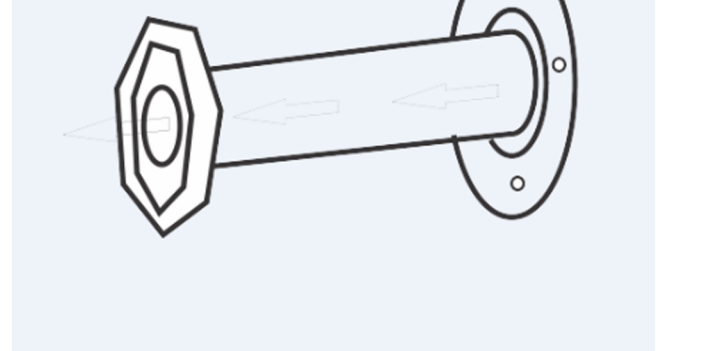
--(12)--



--(11)--



--(10)--



--(11)--

--(11)--

--(11)--